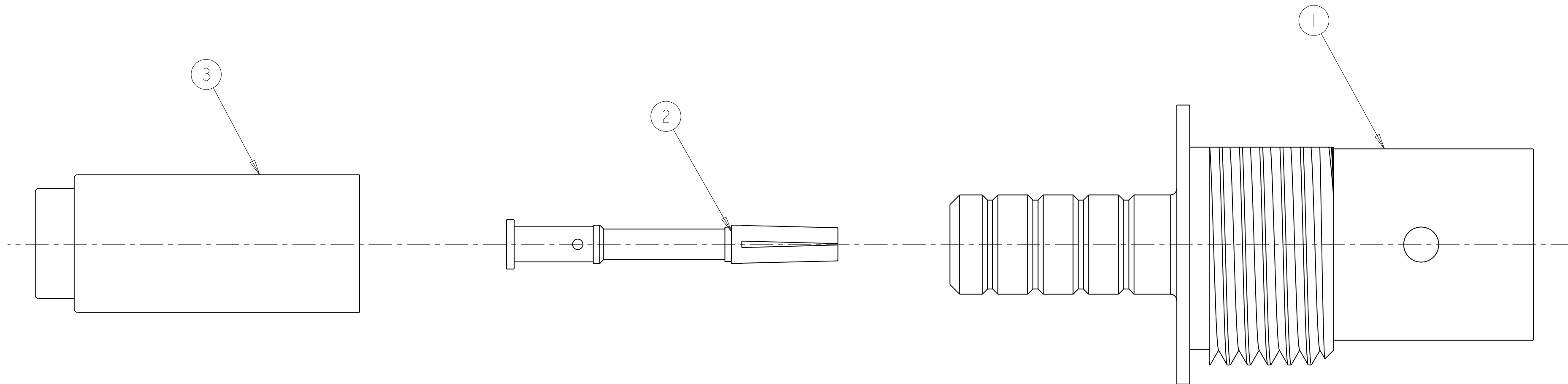
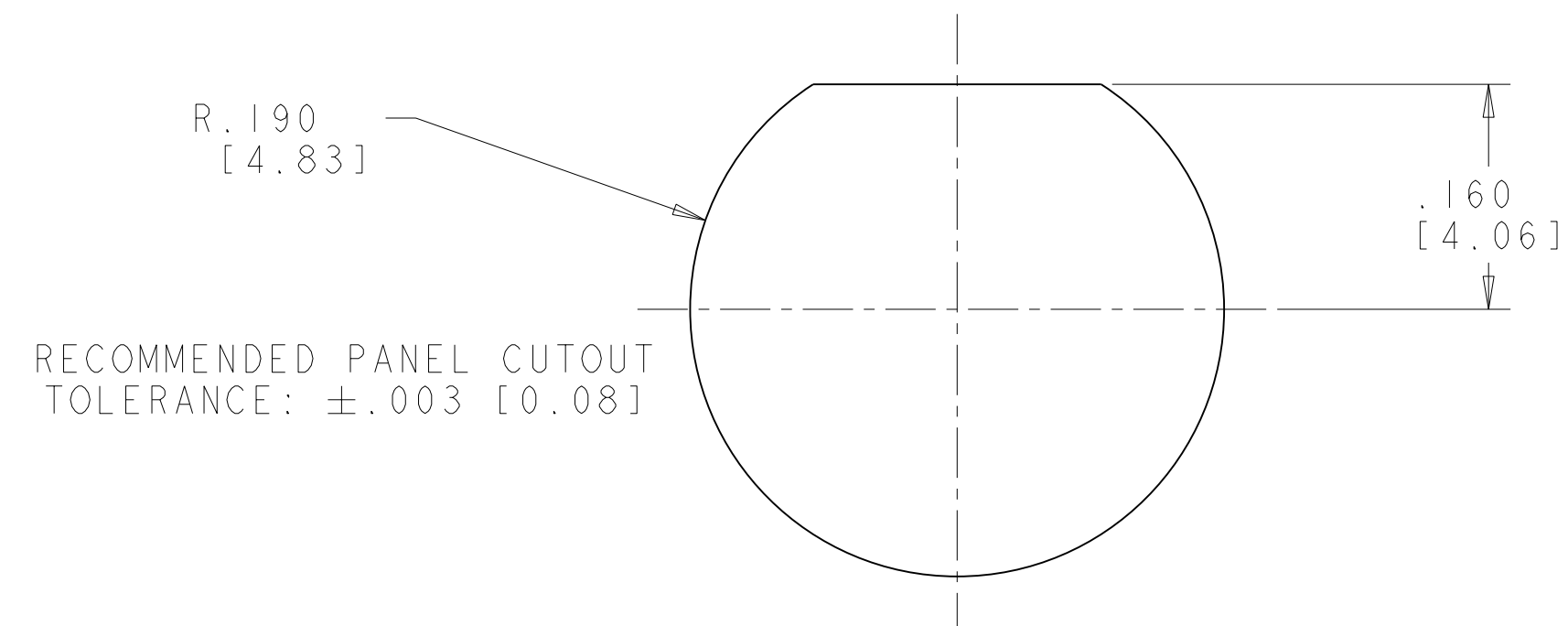


THIS DRAWING IS UNPUBLISHED. RELEASED FOR PUBLICATION 20  
 © COPYRIGHT 20 BY TYCO ELECTRONICS CORPORATION. ALL RIGHTS RESERVED.

LOC	DIST	REVISIONS			
P	LTR	DESCRIPTION	DATE	DWN	APVD
AJ	16	E	REVISED PER EC OS14-0097-05	10MAY05	BM KW



- ITEMS PACKAGED UNASSEMBLED.
- ITEMS 4 AND 5 NOT SHOWN FOR CLARITY.
- SEE SEPARATE CUSTOMER DRAWINGS FOR ITEM DETAILS.
- SEE INSTRUCTION SHEET 408-8871 FOR CABLE TERMINATION DETAILS.



RG179	.042 [1.07]	.178 [4.52]	1-329492-1	2-330249-2	9-413658-0	1274570-9	1274569-3	1274568-3
734A	.042 [1.07]	.255 [6.48]	1-329492-1	2-330249-2	9-221132-3	1274570-6	1274569-2	1274568-2
735A	.042 [1.07]	.178 [4.52]	1-329492-1	2-330249-2	9-413658-2	1274570-3	1274569-1	1274568-1
CABLE	CONTACT CRIMP (SQUARE)	FERRULE CRIMP (HEX)	⑤ LOCKWASHER QTY = 1	④ JAM NUT QTY = 1	③ FERRULE QTY = 1	② CONTACT QTY = 1	① JACK ASSY QTY = 1	PART NUMBER

THIS DRAWING IS A CONTROLLED DOCUMENT FOR TYCO ELECTRONICS CORPORATION. IT IS SUBJECT TO CHANGE AND THE CONTROLLING ENGINEERING ORGANIZATION SHOULD BE CONTACTED FOR THE LATEST REVISION.

DIMENSIONS: INCHES [mm]	TOLERANCES UNLESS OTHERWISE SPECIFIED: 0 PLC ± 1 PLC ± 2 PLC ± 3 PLC ±.005 [0.13] 4 PLC ± ANGLES ±2	FINISH	MATERIAL	DWN K. WEIDNER 02JUN2003 CHK G. MICHAEL 3FEB2004 APVD K. WEIDNER 3FEB2004	NAME BULKHEAD JACK KIT, MINI BNC	SIZE A2	CAGE CODE 00779	DRAWING NO C=1274568	RESTRICTED TO
CUSTOMER DRAWING				WEIGHT	SCALE 8:1	SHEET 1	OF 1	REV E	

Tyco Electronics  
Harrisburg, PA 17105-3608